

# Self-Retaining Ball Plungers

The slotted end of the thermoplastic body expands to compensate for hole tolerances up to .008”.



Due to their self-retaining design, these press-fit ball plungers can be securely installed in an ordinary drilled hole. The slotted end of the thermoplastic body expands to compensate for hole tolerances up to .008” oversize. Sturdy shoulder provides a fixed seating position and positively resists detent force. Installation hole can be counterbored to recess the shoulder. Note: catalog photos are actual size.



1/2 Dia



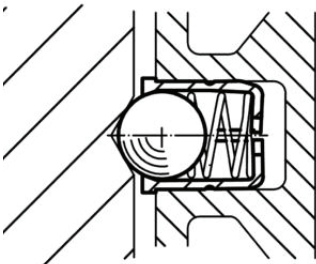
3/8 Dia



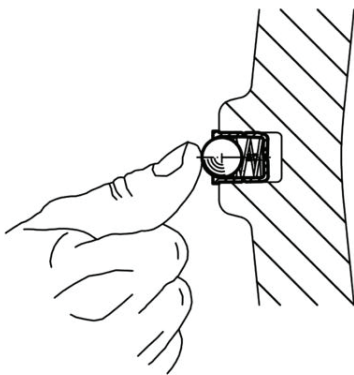
1/4 Dia



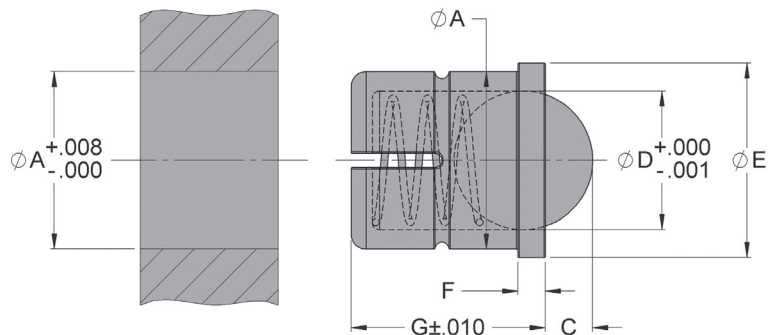
3/16 Dia



These plungers can be installed in a plain hole, with the shoulder exposed, or slightly counterbored for flush installation.



Self-Retaining Ball Plungers can often be installed by hand, due to the body's flexible design.



## INCH

| PART NO.    | A DIA | END FORCE (LBS) |       | C    | D DIA | E DIA | F    | G    |
|-------------|-------|-----------------|-------|------|-------|-------|------|------|
|             |       | INITIAL         | FINAL |      |       |       |      |      |
| CL-3-SRBP-1 | .188  | 1.3             | 2.1   | .031 | .157  | .220  | .039 | .236 |
| CL-4-SRBP-1 | .250  | 1.4             | 2.8   | .039 | .197  | .276  | .039 | .276 |
| CL-6-SRBP-1 | .375  | 2.7             | 5.0   | .063 | .315  | .433  | .059 | .531 |
| CL-8-SRBP-1 | .500  | 3.1             | 5.6   | .078 | .394  | .551  | .059 | .630 |

## Choose the Ball Plunger That Meets Your Needs



### STANDARD, STEEL BALL

Self-contained ball-and-spring device available in many sizes and forces. Locking element holds the unit securely in place after installation. Install and/or adjust from either end.



### STANDARD, DELRIN® BALL

Self-contained ball-and-spring device available in many sizes and forces. Locking element holds the unit securely in place after installation. Install and/or adjust from either end.



### PRESS FIT

Simple, economical spring-loaded plunger ideal for installation in softer materials, such as aluminum, wood, or plastic. Sturdy shoulder provides a fixed seating position.



### SELF-RETAINING

Due to their self-retaining design, these press-fit ball plungers can be securely installed in an ordinary drilled hole. The slotted end of the thermoplastic body expands to compensate for hole tolerances up to .008" oversize.

## SELECTION CHART:

| STYLE   | 4-48 | 5-40 | M3 | 6-40 | 8-32 | M4 | 8-36 | 10-32 | M6 | 1/4-20 | M8 | 5/16-18 | M10 | 3/8-16 | M12 | 1/2-13 | M16 | 5/8-11 |
|---|------|------|----|------|------|----|------|-------|----|--------|----|---------|-----|--------|-----|--------|-----|--------|
| Ball Plunger  | X    | X    | X  | X    | X    | X  | X    | X     | X  | X      | X  | X       | X   | X      | X   | X      | X   | X      |
| Ball Plunger, Stainless Steel                         | X    | X    | X  | X    | X    | X  | X    | X     | X  | X      | X  | X       | X   | X      | X   | X      | X   | X      |
| Ball Plunger, Delrin® Body                            |      |      |    |      |      |    |      |       |    | X      |    | X       |     | X      |     |        |     |        |
| Ball Plunger, Delrin® Ball                            | X    | X    | X  | X    | X    | X  | X    | X     | X  | X      | X  | X       | X   | X      | X   | X      | X   | X      |
| Ball Plunger, Stainless Steel, Delrin® Ball           | X    | X    | X  | X    | X    | X  | X    | X     | X  | X      | X  | X       | X   | X      | X   | X      | X   | X      |
| Ball Plunger, Delrin® Body, Delrin® Ball              |      |      |    |      |      |    |      |       |    | X      |    | X       |     | X      |     |        |     |        |
| Press Fit Ball Plunger                                |      |      |    |      | 1/8" |    |      | 3/16" |    | 1/4"   |    | 5/16"   |     | 3/8"   |     | 1/2"   |     |        |
| Press Fit Ball Plunger, Stainless Steel Ball          |      |      |    |      | 1/8" |    |      | 3/16" |    | 1/4"   |    | 5/16"   |     | 3/8"   |     | 1/2"   |     |        |
| Press Fit Ball Plunger, Delrin® Ball                  |      |      |    |      | 1/8" |    |      | 3/16" |    | 1/4"   |    | 5/16"   |     | 3/8"   |     | 1/2"   |     |        |
| Press Fit Ball Plunger, Stainless Steel, Delrin® Ball |      |      |    |      | 1/8" |    |      | 3/16" |    | 1/4"   |    | 5/16"   |     | 3/8"   |     | 1/2"   |     |        |
| Self-Retaining Stainless Steel Ball                   |      |      |    |      |      |    |      | 3/16" |    | 1/4"   |    |         |     | 3/8"   |     | 1/2"   |     |        |